

# Cartridge filter housing F501 + F502



The housing is completely made of stainless steel (V4A). The internal parts, which are only required for DOE housing, are made of V2A. The Filterhead and the lower part are connected by a profile clamp, which allows a quick and easy filter element change. The size of the filter elements varies depending on the housing.

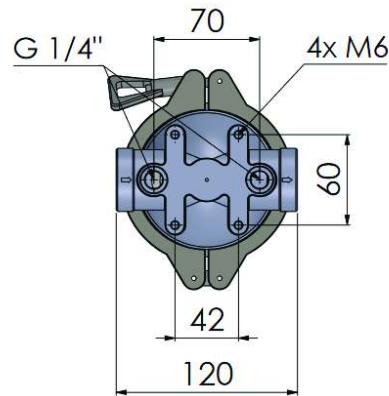
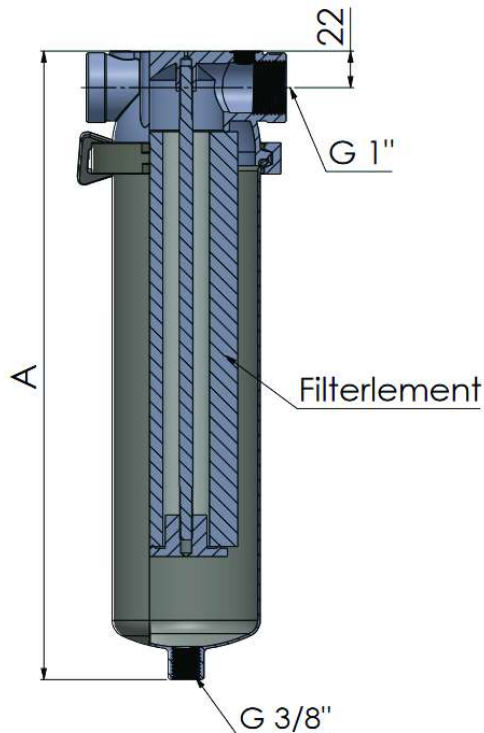
Due to the large number of filter elements that can be used, almost all industrial applications are covered.

### Optional accessories:

- Bracket for wall mounting
- Differential pressure indicator
- Drain & vent valve

### Technical data

	F500	F501	F502	F503
Material:	Stainless steel 1.4401/1.4404, inner parts V2A			
Volume (DOE):	1.1 Liter	1.8 Liter	3 Liter	4.5 Liter
Element length:	5"	9 ¾", 10"	19 ½", 20"	30"
In-/Outlet:	DN25   1" BSPP female thread			
Drain:	DN10   3/8" BSPP female thread			
Vent:	DN8   1/4" BSPP female thread			
Working pressure:	Max. 16 bar @ 20°C			
Working temperature:	Max. 80°C (higher temp. possible with other gaskets)			
Gasket:	EPDM (others on demand)			
Manufactured acc. to the pressure equipment directive (2014/68/EU) article 4, p. 3				



### Dimension A [mm]

Housing	DOE	Code 3	Code 7
F500	251	211	309
F501	378	338	436
F502	591	591	681
F503	851	845	942

### Order information

F50		-		
	Element length		Adapter	
	0	5"	DOE	DOE
	1	9 ¾" & 10"	C3	Code 3 (222/Flat)
	2	19 ½" & 20"	C7	Code 7 (227/FIN)
	3	30"		

Order example: F502-C3